

Triangularwave  
Technologies, Inc. (TWT®)

**Versatile Fluid Management  
Products & Systems  
To Effectively Meet The  
Needs Of Pool & Spa  
Applications**

- Control Scale Deposits
- Bacteria
- Corrosion
- Algae & Colloids In All Fluid Based Systems
- P.O.E (Point-Of-Entry)
- P.O.U. (Point-Of-Use)

**Specializing in:**

- Chemical-Free Deposit Control Systems (hard water conditioning & treatment).
- Ultraviolet / Ozone / Disinfection & Purification Systems
- Ionization Purification Systems
- Custom Systems Design & Integration
- Water Filtration Products
- Bacterial Reduction Systems
- Economical & Cost Effective
- Conserve Water & Save Energy

**CATCH THE WAVE**  
Triangular Wave Technologies, Inc. (TWT®)

**Technologically Advanced Methods for  
Pool/Spa Water Conditioning  
& Treatment (Chemical-Free)**



**TWT® All-In-One Package  
Solution**

**Ionization, Disinfection & Purification  
with Deposit Control Technology**

**SPARKLING CLEAR WATER...  
CHEMICAL-FREE**

The easy way to ensure your swimming experiences safe, fun and environmentally friendly!

**Ionization Disinfection, Purification and Deposit  
Control Technology  
(water problems solved easily)...**

***Your Simple And Safe  
Solution.***



***Be Smart, Buy Once...  
GO GREEN- \$AVE GREEN!***



***DON'T WAIT...Contact us today for a free consultation! A luxury you can afford.  
And for information on what TWT system will meet your specific application needs!***



Visit [www.twtwatertreatment.com](http://www.twtwatertreatment.com)  
to see TWT, Inc. complete  
product catalog

Email: [info@triangularwave.com](mailto:info@triangularwave.com) • [triwaveinc@aol.com](mailto:triwaveinc@aol.com) • websites: [www.triangularwave.com](http://www.triangularwave.com) • [www.twtwatertreatment.com](http://www.twtwatertreatment.com)

## SPARKLING CLEAR ALGAE-FREE WATER FOR POOLS & SPAS

### Triangularwave Technologies, Inc. (TWT®) Technologically Advanced Pool Management Systems

Control scale deposits, algae, bacteria and corrosion without the need for chemicals.

Eliminate the bio-film that serves as a breeding ground for disease-causing bacteria, collecting in your pool piping, tubing and equipment.

### Easy on the Eyes

Gain peace of mind with TWT Enhanced Control Pool Management Systems, the chemical-free, safe and easy way to enjoy your pool and spa season! Your backyard or indoor pool is a place for relaxation. Everyone wants to avoid problems with their pool, and also with the effects of handling, storing, and swimming in harsh chemicals and treated water. The good news is TWT has the solution for all!

### Super Sparkling Water

The Enhanced Pool Management System works with your existing pool filter and pump systems to control deposits and purify the water, killing and removing harmful bacteria and algae, preventing corrosion and deterioration of your pipes and equipment. Reduce your chemical treatments and maintenance efforts by 90% or more, and make your swimming experience safe, fun, and environmentally friendly.

- **Chemical-Free (TWT®) Patented Deposit Control Technology**
- **IonGuard (ionization) Disinfection/Purification**
- **Eliminate the need for chlorine and get the same results with TWT chemical-free treatment & conditioning systems**
- **Protect the investment in your pool/spa from the harsh effects of chemicals**
- **Enhance water quality, and improve operating efficiency and equipment life cycle.**
- **Eliminate the need for Chlorine (No more handling and storing harsh chemicals)**
- **Enhance Pool/Spa water quality Sparkling clear water all the time)**
- **Improve operating efficiency of your pool equipment Enhanced life cycle)**

- **Minimal maintenance (Spend more time with your friends and family)**
- **Lower electrical cost (Save energy) • Lower labor cost (save your hard earned dollars)**
- **Lower replacement cost (Corroded pipes and fittings)**
- **Versatile and compatible with all pool/spa equipment**
- **A full range of systems to meet all pool/spa treatment requirements**
- **Safe and cost effective**
- **No more ruined cloths**
- **No more odor complaints**
- **No more irritated eyes**
- **Easy to follow illustrated, application, installation and maintenance manuals**
- **Relax and enjoy your backyard or indoor swimming season**

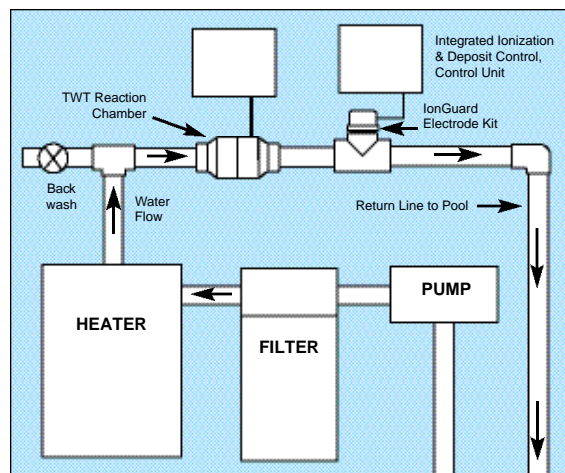
### Ionization—for bacteria, algae, fungus control in Pools & Spas

#### IonGuard Purification System

The IonGuard Purification System is an electrolytic copper/silver ion generator. The system units contain specially cast copper/silver alloy electrodes. These electrodes are mounted in a housing designed for easy access. The IonGuard Purification System purifies water through a process called ionization. This process utilizes a low voltage direct current (DC) to place precise and minute amounts of copper and silver ions into water systems. Copper ions kill algae and silver ions kill bacteria.

Kits integrate with TWT **Chemical-Free** deposit control technology for enhanced results.

**Note:** Request TWT Pool & Spa trade ad #TA25 for additional process and technical information



### TWT® The Ultimate in Water Treatment & Conditioning The Green Way

**Kit Number:** TWT-SPK01-1  
**Pipe Application:** 1" inch  
**Units in Kit:** 4  
**Water Volume in Gallons:** SPAS



**Kit Number:** TWT-SPK02-1.5  
**Pipe Application:** 1 1/2" inch  
**Units in Kit:** 4  
**Water Volume in Gallons:** 30,000



**Kit Number:** TWT-SPK03-2  
**Pipe Application:** 2"  
**Units in Kit:** 4  
**Water Volume in Gallons:** 40,000 to 80,000



**Kit Number:** TWT-SPK04-3  
**Pipe Application:** 3"  
**Units in Kit:** 4  
**Water Volume in Gallons:** 90,000 to 120,000



Kit components are configured according to application requirements.

**Larger volume and pipe size applications:** TWT IonGuard and Deposit Control products can be integrated to meet almost any application and treatment requirements.

#### Quotation (RFQ): Request for Quote

Kits are available to meet your specific application, volume and treatment requirements upon request.

#### Application Guidelines for KITS#:

TWT-SPK01-1(1") • TWT-SPK02-1.5 (1 1/2")  
TWT-SPK03-2 (2") • TWT-SPK04-3 (3")

