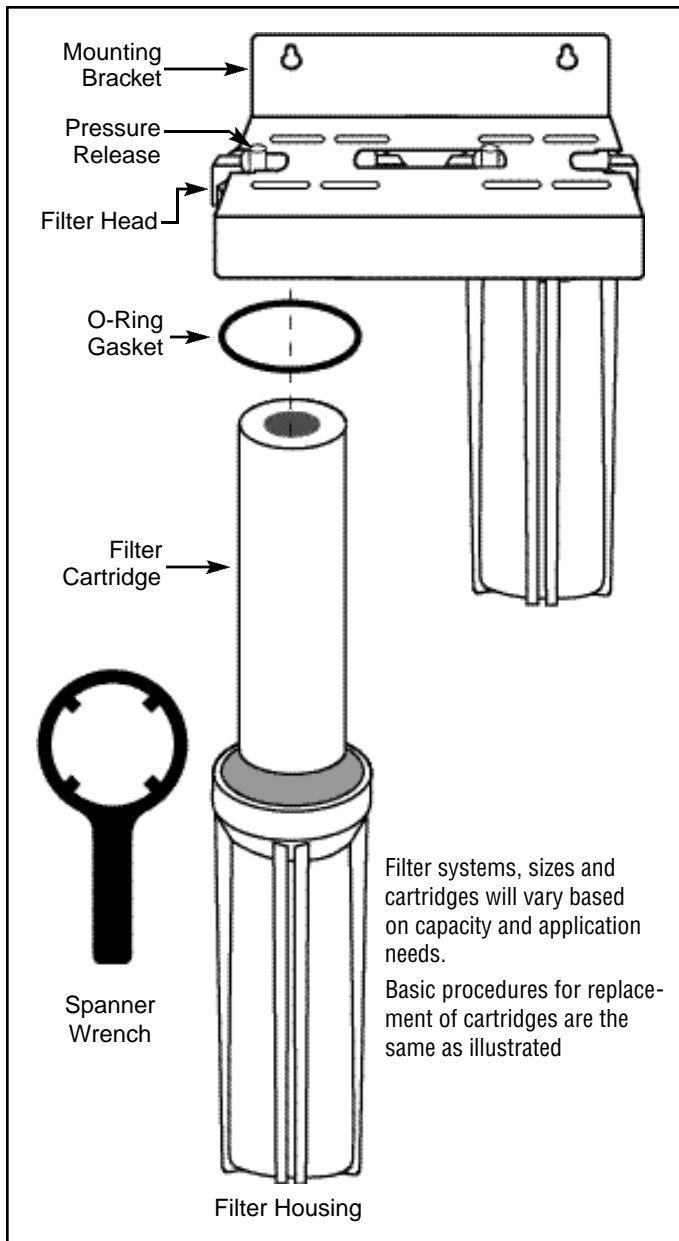


Filter Replacement Guide



- Make sure the filters are free flowing, if they become clogged you must replace them.
- Replace filters when needed, generally twice a year, depending on water use, quality, and conditions.
- Water condition and GPM determines need (hard water areas of the country may require more frequent replacements).
- Replace filters when needed
- Replace sediment, carbon and/or GAC/KDF-55 filters when needed, generally 2 to 3 times a year, depending on water use, quality, and conditions.*
- Replace resin filter every 150 to 200 gallons of processed fluid (up to 20 grains), above 20 grains hardness to be determined (will vary based on equipment operating conditions, water quality in different areas of country. Manufactures suggest equipment owners replace resin filters more frequently until they have established appropriate usage and time tables).

FILTER REPLACEMENT

When pressure reading reach undesirable levels it is time to replace your filters.

1. Shut down system before performing any maintenance.
2. Turn off water supply to system.
3. Depress pressure release button to relieve pressure in filter housing(s).
4. Unscrew housing using spanner wrench (shipped with system).
NOTE: When opening filter housing to change cartridge, it is common for O-Ring/Gasket to lift out of housing and stick to cap (remove carefully.)
5. Remove used cartridge and discard. Rinse out housing and about 1/3 full of water. Add about 2 to 3 table spoons of bleach and scrub thoroughly with brush or sponge. Rinse thoroughly.
6. Remove O-ring/Gasket from housing and wipe groove and O-ring/Gasket clean. Lubricate O-ring/Gasket with a coating of clean food grade silicone grease. Place O-ring/Gasket back in place and press O-ring down into groove with two fingers (or place gasket on rim of sump (housing).
NOTE: This step is important to ensure proper seal. Make sure O-ring is seated level in the groove (or gasket is on rim of sump (housing).
CAUTION: If O-ring/Gasket appears damaged or crimped it should be replaced at this time, contact your distributor for replacement parts.
7. Insert the new cartridges into the sump (filter housing) making sure that it slips down into the housing.
8. Screw the sump (housing) onto the cap and hand tighten (**DO NOT OVER TIGHTEN**).
9. Turn on the water supply slowly to allow system to fill with water (check for leaks).
10. Depress the pressure release button to release trapped air from filter.
11. Restart system

