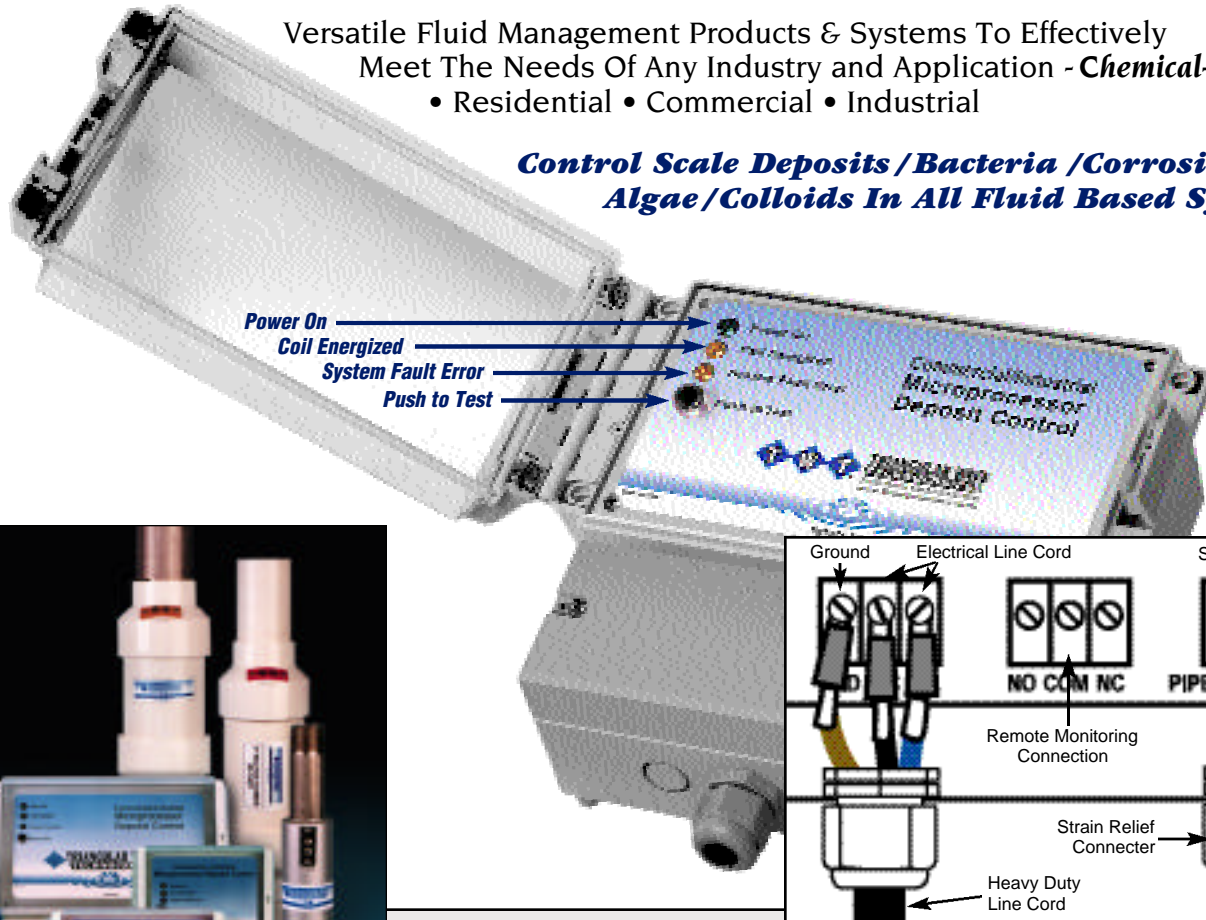


WATER AND FLUID MANAGEMENT SOLUTIONS

Versatile Fluid Management Products & Systems To Effectively Meet The Needs Of Any Industry and Application - **Chemical-Free**
 • Residential • Commercial • Industrial

Control Scale Deposits / Bacteria / Corrosion / Algae / Colloids In All Fluid Based Systems



TWT® Patented “Chemical-Free” Triangularwave Deposit Control Technology:

Technologically Advanced Method for Water & Fluid Management Providing Comprehensive End-To-End Treatment & Conditioning



TWT® Copper Pipe Signal Enhancer

The copper pipe signal enhancer is a passive signal/ impedance matching circuit. This device provides a power boost to the conditioning signal in copper pipes (for copper pipe applications only).



TWT® Reaction Chambers

To use in conjunction with the TWT Deposit Control Systems when required, Triangularwave Technologies, Inc. has developed a line of factory-wrapped wire Reaction Chambers to address magnetic pipe environments. Typically, wire coil should not be installed on any magnetic pipe, such as steel, galvanized steel, ductile iron, or cast iron. The TWT Reaction Chambers solve this problem by providing an easily installed section of non-magnetic pipe to provide the proper pipe material for the Deposit Control System to work as designed. The TWT Reaction Chambers are fully sealed, protecting their two layers of factory-wrapped coil. The PVC, Stainless Steel and the Industrial Reaction Chamber systems are designed and manufactured to meet the highest quality specifications.

TWT, Inc. offers a full range of products & systems designed to address fluid problems wherever fluid flows. TWT has the versatile, efficient, cost-effective methods to solve your fluid management problems end to end.

- Controls scale, bio-film & corrosion
- Enhance operating efficiency & life cycle of equipment
- The only products & systems that pay for themselves

We sincerely thank you for your time and interest in our products, and look forward to being a valued part of your operation.



ISO Certified Facility

Conserve Water, Save Energy...Non-Chemical, Safe, Cost-Effective Treatment System.

CHEMICAL-FREE

TWT® The Ultimate in Alternative Energy, Water Treatment & Conditioning: *The Green Way*

TWT® PATENTED DEPOSIT CONTROL TECHNOLOGY

Versatile Fluid Management System To Effectively Meet The Needs Of Any Application

- Control Scale Deposits/ Bacteria Corrosion / Algae/ Colloids In All Fluid Based Systems
- Improve Operating Efficiency And Life Cycle Of Equipment

The TWT Deposit Control System is an advanced method for controlling scale and bio-fouling. It is applicable with once through and recirculating HVAC, Cooling Towers, Heat Exchangers, Boilers, Chillers, Spray Systems, Pumps, Induction Furnaces, and Process Cooling Systems, as well as agricultural, industrial processing, wastewater, and other fluid based systems.

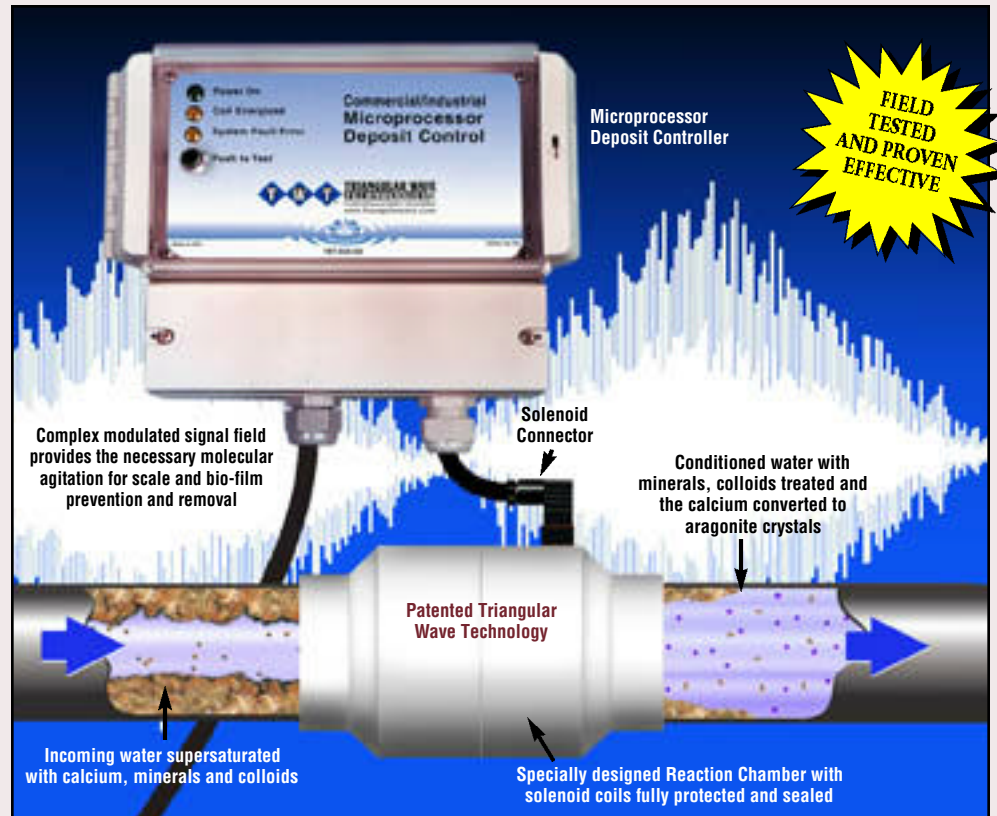
The electronic deposit control technology uses a signal coil that is wrapped around a pipe in the plumbing system being treated. The signal coil produces an extremely small time-varying magnetic field inside the pipe. The resulting induced, oscillating electric field provides the necessary molecular agitation for chemical-free scale prevention and removal.

- Polarity changes from positive to negative many thousands of times per second.
- Frequency varies, the range of frequencies is wide enough to affect the water and the materials in the water.
- Amplitude varies, this means that the water molecules and the materials in the water are being subjected to a wide range of field forces.

The entire Triangularwave Signal is repeated 30 times each second. When the current reaches the solenoid, a constantly changing electro-magnetic field is formed. That field induces a constantly changing voltage in the fluid. This process ensures proper fluid treatment results and increased operational efficiency. The Triangularwave Deposit Control System uses a Current Source as the drive circuit to the pipe solenoid. A Current Source is the most reliable and strongest conditioning signal over a wide frequency range. Most waters have qualities that vary over time. Higher total dissolved solid concentration will cause greater impedance in the system. The TWT system, with a Current Source generator is able to sense the increased impedance and maintain the strong conditioning.

- One time cost vs. recurring monthly chemicals= better profit margin
- Labor costs for maintaining the systems will be reduced
- Costs to replace corroded parts like heat exchanger tube bundles, etc. will be reduced.
- Less downtime for equipment repairs and maintenance=increased production
- Increased heat transfer from non-scaled tube surfaces=significant energy savings

When the TWT systems are properly installed the effects of the Triangularwave Technology treatment last downstream enhancing water quality, and improve operating efficiency and life cycle of equipment. Triangularwave Technologies systems



How TWT Deposit Controller and Reaction Chamber System Work:

Using modern integrated circuitry and signal processing techniques, the patented TWT Deposit Control Technology works by producing a complex frequency-modulated waveform. This creates a deionizing effect, induced by physical means, which increases the solubility of the minerals, and colloids in the liquid and changes the shape, size and texture of the calcium carbonate crystals. By this reaction, the minerals, colloids and crystals lose their adhesive properties and remain in suspension in the liquid. Pre-existing scale is taken back into solution and removed in the same way. The effects are immediate and long lasting down stream.

use technologically advanced methods to restore and maintain a clean, corrosion-free delivery system in an environmentally safe and chemical-free manner. The result is clean pipes, tubing and equipment with no bio-film and reduced bacterial contamination.

The build up of scale deposits is a common and costly industrial problem. The higher costs of maintaining and cleaning fluid-fed equipment can be attributed to the continuous cleaning of scaled surfaces or to the increased energy and operating costs due to the poor conductivity of the fluid pipe. For example, with every 1/4" of scale, 40% more energy will be needed to heat the water. Moreover, scale deposits narrow the inner diameter of piping, increasing the amount of energy required to pump the water through the system.

Why does scale occur?

The source of scaling problems lies in hard water which contains excess ions such as calcium and magnesium. Because of the inverse solubility laws, these mineral ions precipitate as hard water is heated, resulting in the deposition of scales on heat transfer surfaces.

TWT Operating Principles:

The TWT System utilizes a principal of molecular agitation to neutralize the dissolved calcium that

causes hardness and lime scaling. Molecular agitation uses resonant energy forces, which develop on charged particles moving through an electrical impulse induction field, to change the molecular surface energy states of dissolved minerals. Dissolved mineral surface energy states, a quantum function, determine the subsequent precipitated crystalline structures created. In this case, the doubly positive ionic calcium is treated so that neutral aragonite crystal instead of lime scale crystal precipitation results.

The signal from the TWT system circuitry flows to a solenoid coil (reaction chamber) wound around the pipe being treated. This coil develops the frequency modulated electrical impulse induction field that immediately neutralizes the hardness, or functionally "softens" the water. The field penetrates the piping to its center, with the modulation component acting on the passing water and dissolved mineral molecules.

TWT® THE COMPETITIVE EDGE!

To find additional technical information about TWT® Deposit Control Technology, go on the home page of the TWT web site and click on "About the Technology" there you will find additional Installation & Technical Guidelines.

TWT® Effective Water Treatment Systems

Bacteria & Biofilm Control for Homes, Offices, Medical, Dental, Laboratory Environments, building industry, residential, restaurants, childcare, corrections, aviation, convenience stores, telecommunications markets, marine industry, rainwater harvesting, agriculture/irrigation, remote areas, residential, commercial and industrial facilities worldwide. Chemical-Free water treatment, conditioning systems.

Building A Better Way!

VALUE ADDED TECHNOLOGY • SYSTEM INTEGRATION • RETROFIT PROGRAMS
• INDUSTRY-SPECIFIC CUSTOM DESIGN

NO MATTER HOW TOUGH THE JOB...TWT® IS THE SOLUTION!

HARD WATER PROBLEMS SOLVED EASILY!
Your Simple and Safe Solution!

TWT® Patented Deposit Control systems use advanced technology to restore and maintain a clean, corrosion-free delivery system in an environmentally safe and chemical-free manner... The result is clean pipes and tubing with no biofilm and reduced bacterial contamination.

TWT® Saves:
Chemicals,
Water,
Energy,
Labor,
Time and
Materials

PROTECTION FOR NEW EQUIPMENT

TWT provides new equipment with the ability to enhance the product benefits and features.

TREATMENT FOR EXISTING EQUIPMENT

Retrofit existing equipment to improve its operating efficiency and life cycle.



On-Site Solenoid Wrapped Pipe



Made in USA



Hard water is the most commonly reported water quality problem by consumers in the U.S., found in over 85 percent of the country. Over 60% of the earth's water is groundwater, which picks up minerals, rocks and soil, including calcium and magnesium contaminants that make water hard.

Some telltale signs that water may be hard:

- Clogged pipes and/or appliances may be due to hard water.
- Mineral deposits can form in coffee makers, shower drains, pipes and plumbing equipment.
- Consumers may notice a film build-up on shower tiles, bathtubs, or even themselves, which can cause dry skin and dull, limp hair.
- Heating bills are increased, because the hard water forms an insulated shell between the heating element and the water to be heated. Heated hard water causes scale.

The Triangularwave System represents a significant breakthrough in electromagnetic technology. The Triangularwave has made possible the use of electromagnetic technology in applications of all sizes, from residential to large commercial and industrial applications.

An advanced system for controlling scale and bio-fouling, it is applicable with once-through and recirculating HVAC, heating and process cooling systems, as well as agricultural, industrial processing, wastewater, and other fluid-based systems.

The electronic deposit control technology uses a signal coil wrapped around a pipe in the plumbing system being treated. The signal coil produces an extremely small time-varying magnetic field inside the pipe, the resulting induced, oscillating electric field provides the necessary molecular agitation for chemical-free scale prevention and removal.

This state-of-the art electronic deposit controller provides continual scale and bio-film control in fluid systems resulting in reduced maintenance and more efficient operation. The Triangularwave System utilizes unique and proprietary treatment and design processes.

- The patented Triangularwave System assures effective treatment.
- Highest quality parts and engineering design assures long-term performance.
- Chemical-Free Technology
- Simple installation and application maximize field success.
- Full product line to meet all field situations;flexible and cost effective.

Microprocessor Based Technology for all Commercial / Industrial Applications

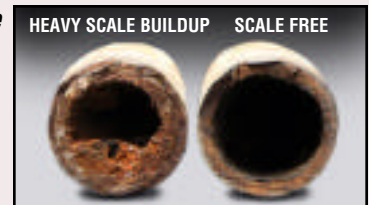
- Cooling Towers
- Heat Exchangers
- Condensers and Chillers
- Commercial Irrigation
- Swimming Pools
- Public/Private Display Water Fountains
- Boilers
- Water Heaters
- Food Processing Equipment
- All Fluid Based Applications
- Controls Algae and Bacteria
Without bio-film to house and protect it, biological growth can not feed or reproduce, resulting in greatly reduced biological activity
- Reduces Corrosion
- Reduces or Eliminates the use of Dangerous Toxic Chemicals
- Improve Operating efficiency And Life Cycle Of Equipment

Highly Cost Effective:

- Savings in maintenance include reduced cleaning, monitoring, and chemical costs.
- Savings in maintenance such as cleaning, monitoring and adding chemicals are greatly reduced.
- Savings in electrical expenses, due to cleaner system components and better heat transfer, can also be significant.
- Protects expensive capital equipment; cleaner systems, with less chemicals added, will operate more efficiently, and will have a longer working life.
- Operating costs of Triangularwave Systems are very small and the systems require no maintenance.
- Non-hazardous blowdown means no treatment and no discharge permits required.

When TWT systems are properly installed, the effects of the Triangularwave treatment last downstream. The treated fluid maintains the ability to control deposits throughout the system

In effect, a clean, corrosion-free delivery system is restored and maintained in an environmentally safe and chemical-free manner. The result is clean pipes and tubing with no biofilm and reduced bacterial contamination.



Eliminates deposits in pipes, fixtures and equipment.

On Site Outdoor Solenoid Installation

The versatility of the Triangularwave Deposit Control System allows for exterior installation when interior installation is impossible



Triangularwave Technologies, Inc. Microprocessor installed in a weatherproof electrical box on the outside wall of the building.



The coil is wrapped around a water pipe and protected from dirt, disturbance and moisture with weatherproof tape.

In order to ensure the greatest level of performance and satisfaction in your work with the TWT products & systems, we recommend that you contact our engineering staff, who will be pleased to work closely with you to determine the optimal application and installation for your industry specific needs.

Residential/Light Commercial Hard Water Conditioning & Treatment System Fully Assembled Plumb Plug & Play Units



TWT5C8-472PVCPP

Applications for pipes up to 1" or less in diameter

PACKAGING CONTENTS

- A. TWT-5C8-472 DC plate mounted unit with pipe mounting clamps & wire connectors
 - B. Factory wrapped 1" X 10" PVC (IRC) industrial reaction chamber
 - C. Electrical transformer
 - D. Owners manual
 - E. System registration card
- Optional: 110/20V or 220/30V (Custom built to order only)
Approx unit size: 8.5" X 6"

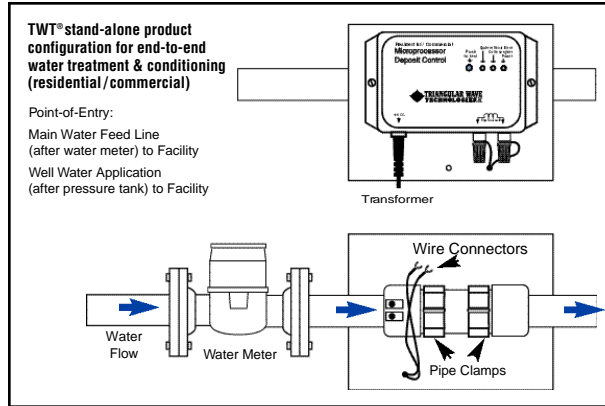
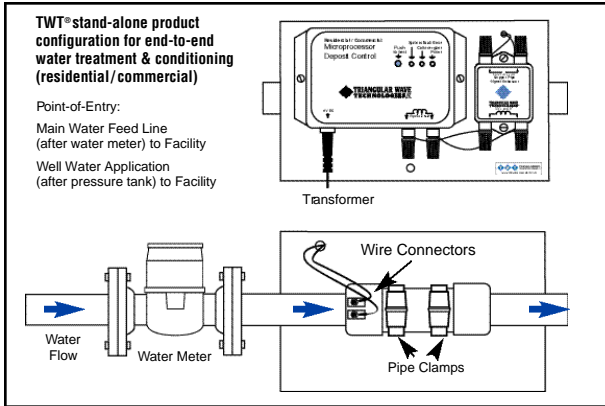


Product # TWT5C8-472CSECPP

Applications for pipes up to 1" or less in diameter

PACKAGING CONTENTS

- A. TWT-5C8-472 DC plate mounted unit with pipe mounting clamps & wire connectors
 - B. Factory wrapped 1" X 11" (ICRC) industrial copper pipe reaction chamber
 - C. Electrical transformer
 - D. Owners manual
 - E. System registration card
- Optional: 110/20V or 220/30V (Custom built to order only)
Approx unit size: 10.5" X 6"



Installation:* Licensed plumber and/or contractor suggested for application and installation of equipment.

Four Simple Steps:

1. Plumb the reaction chamber into water feed line.
2. Run and connect the provided wire to the reaction chamber as illustrated.

3. Clamp the TWT plate mounted controller onto pipe installed reaction chamber
4. Plug the unit in to electrical outlet.

Optional: S/St industrial reaction chambers available upon request
No maintenance required as long as current is provided to unit at all times. Deposit controllers are designed be self tested (see owners manual).

Triangularwave Technologies, Inc. TWT® Patented Deposit Control Systems



Model TWT-5C8-470 Residential Deposit Control
Designed for pipes 1/2 inches or less in diameter.
Size: 3.3"W x 3.3"H x 1.3"D
Voltage: 9 vdc
Amperage: Draws less than 1 Amp.
Coil length: 4"



Model TWT-5C8-472 Residential/Commercial Deposit Control
Designed for pipes 3/4"/ 1" inch in diameter.
Size: 6.5"W x 3.75"H x 1.3"D
Voltage: 9 vdc
Amperage: Draws less than 1 Amp.
Coil length: 4"



Model TWT-5C8-473
Residential/Commercial
 Designed for pipes 1 inch or less in diameter.
 Size: 5.25"W x 5.25"H x 2.5"D
 Amperage: Draws less than 1 Amp.
 Coil length: 4"
Universal Power Supply



Model TWT-5C8-401
Commercial/Industrial
 Designed for pipes 1-1/2 inches or less in diameter.
 Size: 6.5"W x 7.75"H x 4.75"D
 Voltage: 120 vac
 Amperage: Draws less than 1 Amp.
 Coil length: 4"
Industrial Reaction Chamber Recommended



Model TWT-5C8-402
Commercial/Industrial
 Designed for pipes 2 inches or less in diameter.
 Size: 7.75"W x 6.25"H x 3.75"D
 Voltage: 120 VAC
 Amperage: Draws less than 2 Amp.
 Coil length: 7"
Industrial Reaction Chamber Recommended



Model TWT-5C8-403
Commercial/Industrial
 Designed for pipes 3 inches or less in diameter.
 Size: 10"W x 7.25"H x 4.5"D
 Voltage: 120 VAC
 Amperage: Draws less than 2 Amps.
 Coil length: 7"
Industrial Reaction Chamber Recommended



Model TWT-5C8-404
Commercial/Industrial
 Designed for pipes 4 inches or less in diameter.
 Size: 10"W x 7.25"H x 4.5"D
 Voltage: 120 VAC
 Amperage: Draws less than 2 Amps.
 Coil length: 7"
Industrial Reaction Chamber Recommended



Model TWT-5C8-406
Commercial/Industrial
 Designed for pipes 6 inches or less in diameter.
 Size: 11.5"W x 8.5"H x 6"D
 Voltage: 120 VAC
 Amperage: Draws less than 3 Amps.
 Coil length: 4.5"
Industrial Reaction Chamber Recommended



Model TWT-5C8-408
Commercial/Industrial
 Designed for pipes 8 inches or less in diameter.
 Size: 10"W x 8.25"H x 5.25"D
 Voltage: 120 VAC
 Amperage: Draws less than 3 Amps.
 Coil length: See owner's manual solenoid winding instructions
Industrial Reaction Chamber Recommended



Model TWT-5C8-410
Commercial/Industrial
 Designed for pipes 10 inches or less in diameter.
 Size: 12"W x 10"H x 7"D
 Voltage: 120 VAC
 Amperage: Draws less than 3 Amps.
 Coil length: See owner's manual solenoid winding instructions
Industrial Reaction Chamber Recommended

The triangularwave System is easy to install. A standard 110V electrical outlet is needed near the unit installation (unless other current source requested prior to purchase). The most desirable place to install the unit is immediately after the water meter, pressure tank or before any plumbing line tee, so that the entire plumbing system is treated for deposits.

The TWT System is provided with a transformer. The transformer should not be plugged in until the installation is completed. The unit may be installed outdoors at a wellhead for example, provided a separate weatherproof housing such as NEMA enclosure is used. Because the unit is a solid state device, it may be mounted in any position necessary.

- Custom orders—12", 14" and larger sizes deposit controllers are available upon request.
- Other voltage source available upon request (overseas installations, must specify with PO).
- Solenoid winding coil wire supplied with systems is 18-20 AWG (UL Approved).
- Teflon wire available upon request (UL Approved), must specify with PO. System housings ABS construction.
- For copper pipe applications a Copper Pipe Signal Enhancer is recommended.
- On magnetic pipe applications a TWT Reaction Chamber is recommended.
- **Reaction Chambers:** Special Notes, All Reaction Chambers are available as Special Orders (Custom sizing and material upgrades) upon request; and upon the approval of Triangularwave Technologies, Inc. PVC Pipe mentioned in all descriptions is Schedule 40 PVC material (schedule 80 PVC available upon request). The Industrial PVC & Stainless Steel Reaction Chambers are factory wrapped and assembled with two bulkhead connectors, and adequate conduit wire for each installation.
- All TWT systems are shipped with easy to follow application, installation and maintenance manuals.

Accessories for Deposit Control Systems for Reaction Chambers & Copper Pipe Signal Enhancers

Reaction Chambers: To use in conjunction with the TWT Deposit Control Systems when required, Triangularwave Technologies, Inc. has developed a line of factory-wrapped wire coil Reaction Chambers to address magnetic pipe environments.

Typically, wire coil cannot be installed on any magnetic pipe, such as steel, galvanized steel, ductile iron, or cast iron. If a coil is applied to such a pipe, the pipe becomes a shield and prevents the wave energy from entering the fluid path.



TWT Industrial PVC Reaction Chambers are factory wrapped and assembled with bulkhead connectors and conduit ready for each installation. (PVC =Schedule 40 – Schedule 80 available upon request)

TWT-IRC-075 3/4" Pipe X 12" Long Industrial **PVC** Reaction Chamber for use with TWT-5C8-472 or TWT-5C8-473 Deposit Control System

TWT-IRC-01 1" Pipe X 12" Long Industrial **PVC** Reaction Chamber for use with TWT-5C8-473 or TWT-5C8-401 Deposit Control System

TWT-IRC-01.5 1.5" Pipe X 12" Long Industrial **PVC** Reaction Chamber for use with TWT-5C8-401 or TWT-5C8-402 Deposit Control System

TWT-IRC-02 2" Pipe X 12" Long Industrial **PVC** Reaction Chamber for use with TWT-5C8-402 Deposit Control System

TWT-IRC-03 3" Pipe X 15" Long Industrial **PVC** Reaction Chamber for use with TWT-5C8-403 Deposit Control System

TWT-IRC-04 4" Pipe x 18" Long Industrial **PVC** Reaction Chamber for use with TWT-5C8-404 Deposit Control System

TWT-IRC-06 6" Pipe x 18" Long Industrial **PVC** Reaction Chamber for use with TWT-5C8-406 Deposit Control System

TWT-IRC-08 8" (*Custom) Industrial **PVC** Reaction Chamber for use with TWT-5C8-408 Deposit Control System



TWT Industrial Stainless Steel Reaction Chambers are factory wrapped and assembled with bulkhead connectors and conduit ready for each installation.

TWT-ISRC-075 3/4" Pipe X 12" Long Industrial **PVC** Reaction Chamber for use with TWT-5C8-472 or TWT-5C8-473 Deposit Control System

TWT-ISRC-01 1" Pipe X 8" Long Industrial **PVC** Reaction Chamber for use with TWT-5C8-473 or TWT-5C8-401 Deposit Control System

TWT-ISRC-01.5 1.5" Pipe X 12" Long Industrial **PVC** Reaction Chamber for use with TWT-5C8-401 or TWT-5C8-402 Deposit Control System

TWT-ISRC-02 2" Pipe X 12.5" Long Industrial **PVC** Reaction Chamber for use with TWT-5C8-402 Deposit Control System

TWT-ISRC-03 3" Pipe X 18" Long Industrial **PVC** Reaction Chamber for use with TWT-5C8-403 Deposit Control System

TWT-ISRC-04 4" Pipe x 18" Long Industrial **PVC** Reaction Chamber for use with TWT-5C8-404 Deposit Control System

TWT-ISRC-06 6" Pipe x 18" Long Industrial **PVC** Reaction Chamber for use with TWT-5C8-406 Deposit Control System

TWT-ISRC-08 8" (*Custom) Industrial **PVC** Reaction Chamber for use with TWT-5C8-408 Deposit Control System

Customized sizes 10" and above available upon request: contact your distributor or TWT for additional information

- Custom Orders Quote Only (all sizes) • Request For Quote (RFQ):Quotes are meant to ensure proper use, application and installation
- Quotes based on price of material at time of purchase

Copper Pipe Signal Enhancer

The Copper Pipe Signal Enhancer is a passive signal/impedance matching circuit, This device provides a power boost to the conditioning signal in copper pipes. For copper pipe applications only.

Item Number & product Description:

TWT-CSE-0227
Designed for Copper Pipes 2" or Less in Diameter

TWT-CSE-0229
Designed for Copper Pipes 4" or Less in Diameter

Product Dimensions

3.75"W x 2"H x 1.5"D

4.75"W x 2.75"H x 2"D

Price

\$51.75 each

\$69.75 each



ON-SITE SOLENOID COIL WINDING INSTRUCTIONS

Deposit Controller	Pipe Size	Wrap Length Along Pipe	Wire Kit	Solenoid
TWT-5C8-470	1/2" inch	4 inch wrap	75 ft.	The solenoid is wound in two overlapping layers, approx..60 turns per layer
TWT-5C8-473	1" inch	4 inch wrap	75 ft.	The solenoid is wound in two overlapping layers, approx..60 turns per layer
TWT-5C8-472	3/4" / 1" inch	4 inch wrap	75 ft.	The solenoid is wound in two overlapping layers, approx..60 turns per layer
TWT-5C8-401	1 1/2" inch	4 inch wrap	100 ft.	The solenoid is wound in two overlapping layers, approx..60 turns per layer
TWT-5C8-402	2" inch	7 inch wrap	150 ft.	The solenoid is wound in two overlapping layers, approx..90 turns per layer
TWT-5C8-403	3" inch	7 inch wrap	200 ft.	The solenoid is wound in two overlapping layers, approx..90 turns per layer
TWT-5C8-404	4" inch	7 inch wrap	225 ft.	The solenoid is wound in two overlapping layers, approx..90 turns per layer
TWT-5C8-406	6" inch	4.5 inch wrap	275 ft.	The solenoid is wound in two overlapping layers, approx..65 turns per layer

See installation manuals 8" & 10" controllers all for correct coil winding.

Coil Kit provided will contain UL 1007 • UL 1015 #18/20 awg wire with the assumption that the controller will be located within 10 to 15 ft. of solenoid. All installations may splice additional wire to remotely locate the Controller up to 100 ft. away from the solenoid coil. Refer to Owner's/ Installation Manual for further information..

Note: When upgrading controller for extreme hard water conditions (TDS), the on-site wrap coil dimensions must continue to match the actual pipe size, not the controller upgrade.

High Temperature Applications for Triangularwave Technologies™ Deposit Control Systems 176° F and Above (Teflon Wire)

TWT-5C8-470	1/2" inch	3.5 inch wrap	55 ft.	The solenoid is wound in two overlapping layers, approx...60 turns per layer
TWT-5C8-473	1" inch	3.5 inch wrap	55 ft.	The solenoid is wound in two overlapping layers, approx...60 turns per layer
TWT-5C8-472	3/4" / 1" inch	3.5 inch wrap	55 ft.	The solenoid is wound in two overlapping layers, approx...60 turns per layer
TWT-5C8-401	1 1/2" inch	4 inch wrap	75 ft.	The solenoid is wound in two overlapping layers, approx...60 turns per layer
TWT-5C8-402	2" inch	5 inch wrap	125 ft.	The solenoid is wound in two overlapping layers, approx...90 turns per layer
TWT-5C8-403	3" inch	5 inch wrap	175 ft.	The solenoid is wound in two overlapping layers, approx...90 turns per layer
TWT-5C8-404	4" inch	5 inch wrap	200 ft.	The solenoid is wound in two overlapping layers, approx...90 turns per layer
TWT-5C8-406	6" inch	3.75 inch wrap	250 ft.	The solenoid is wound in two overlapping layers, approx...65 turns per layer

In applications where the pipe surface temperature is 180° F and above, you should request a Teflon Wire Kit. To provide a spool of Teflon Insulated Wire to form the pipe solenoid. The wire ties supplied with the unit are satisfactory for use with the Teflon Wire.

Please see the installation manual for instructions to correctly wind the coil. The Teflon Wire will be slightly smaller in diameter and the solenoid should be formed as described above:

The wire used to form the pipe solenoid provided with enclosed Microprocessor is: UL1007 • UL 1015 #18/20awg.

Teflon Insulated Wire Kit is provided at factory upon request.

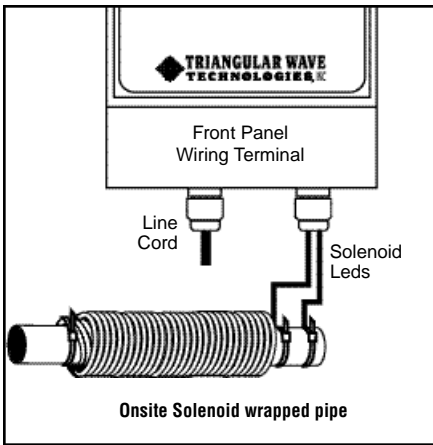
Note: When upgrading controller for extreme hard water conditions (TDS), the on-site wrap coil dimensions must continue to match the actual pipe size, not the controller upgrade.

TWT, Inc. always recommends that an additional protective covering (high temperature out side rated electrical tape) be put over the solenoid coil after completion. This will hold correctly wound solenoid in place to ensure that the coil stays tight and does not loosen.

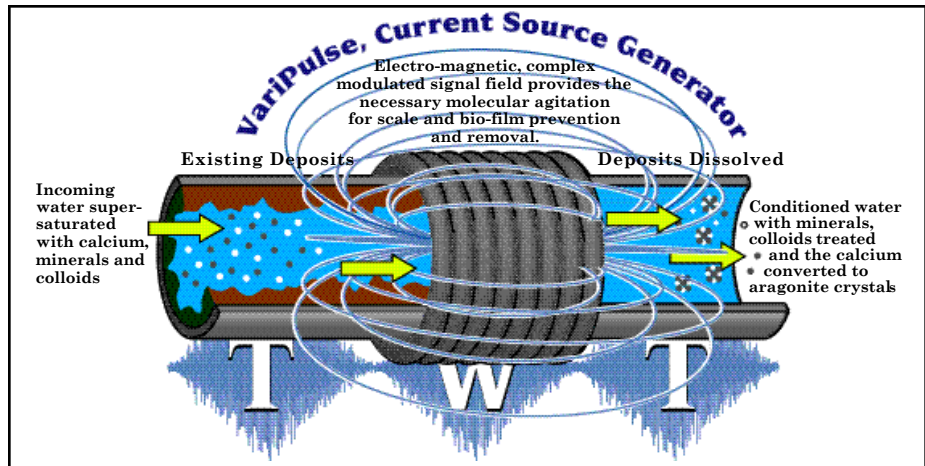
Important Reminder: Do not install the wire coil on any magnetic pipe; such as STEEL, GALVANIZED STEEL, IRON, DUCTILE IRON OR CAST IRON. When the coil is applied to a magnetic material the pipe then becomes a shield, and prevents the energy from entering the fluid path. The Triangularwave Deposit Control System creates an electromagnetic field which is used to address the fluids in the pipe. If the fluid pipe is magnetic, it is necessary to insert a section of non-magnetic pipe to provide the proper pipe material for the unit to work as designed.

Based on point-of-use, water quality and conditions and to ensure proper use, application and installation of the TWT 8", 10", 12" and higher deposit control systems, contact your dealer or TWT, Inc. for additional information and winding instructions.

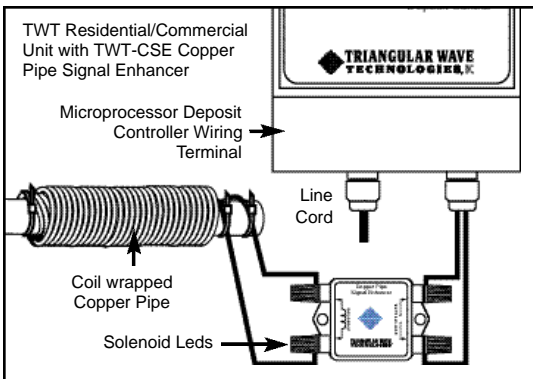
Please read all instructions carefully (owners installation manual) shipped with units before assembling the system.



When TWT systems are properly installed, the effects of the Triangularwave Technology Last Downstream



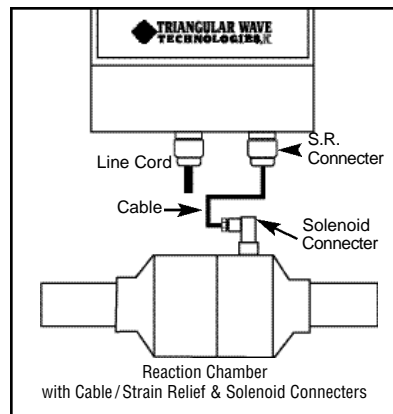
By this reaction, the minerals, colloids and crystals lose their adhesive properties and remain in suspension in the liquid. Pre-existing scale is taken back into solution and removed in the same way. The effects are immediate and long lasting downstream.



TWT-CSE Copper Pipe Signal Enhancer Application

Copper pipes, although acceptable, are one of the more difficult of materials to work with. To overcome this...

TWT has developed its Copper Pipe Signal Enhancer. This unit is placed between the Deposit Controller and the solenoid coil on the copper pipe as illustrated. The function of the signal enhancer is to provide a proper impedance match and to ensure maximum energy transfer between the controller and the solenoid, which, in turn, ensures enhanced treatment of the fluid. **Special Note: Copper pipe signal enhancers are to be used on copper pipes only.**



Factory Wrapped Wire Coil Industrial Reaction Chambers Application

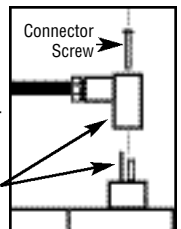


Conditioned water with minerals, colloids treated and the calcium converted to aragonite crystals

- To address magnetic pipe applications
- When a protected environment (code) is needed
- When on-site solenoid wrap is not applicable

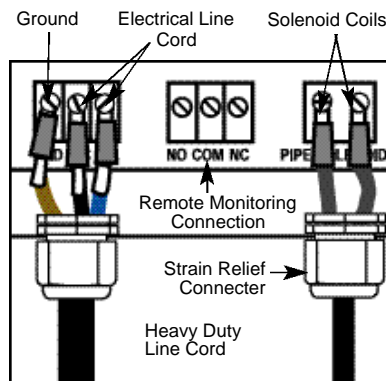
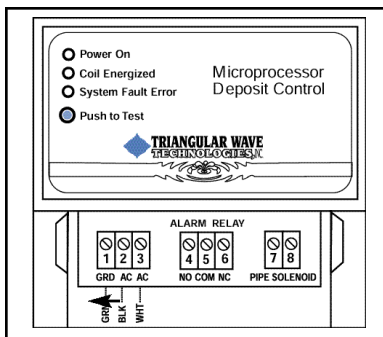
The TWT Reaction Chamber is part of the patented TWT Deposit Control Technology. The Reaction Chamber provides a chamber through which the water flows and is exposed to the Triangularwave signal that lies at the heart of the deposit control technology. As the fluid passes through, it is treated and then carries that treatment downstream, to condition the rest of the plumbing system, non-chemically and reliably.

When you have purchased a reaction chamber with cable and connectors with your controller unit, the correct strain relief connector for the controller is furnished with the cable for the reaction chamber. The strain relief connector on the controller (pipe solenoid) should be removed and replaced with the strain relief connector provided with the reaction chamber cable. The two wires should be connected to the coil terminals in the controller housing as illustrated.



Make sure connector pins line up properly and pushed straight down

TWT Deposit Controller Terminal Hookup



TWT Deposit Control Unit

The controller is supplied with a wiring kit and a strain relief connector for the solenoid coil wires. This strain relief will provide a water resistant seal for the two coil wires. You should rotate the compression ring counter clockwise to release pressure on the seal. Feed the two wires through the provided holes and tighten the compression ring. Connect the two wires to the coil terminals in the controller housing as illustrated (refer to winding instructions in owners installation manual). A standard installation will not require access to the main control circuit board, because all connections are available in the wiring terminal. The control circuit is accessed by removing the front panel of the TWT unit.

The unit is provided with a line cord. The cord should remain unplugged until the installation is complete. Mount the unit to a supporting structure using the base mounting bracket and case mounting kit supplied. Install two mounting feet to the top rear of controller case with screws supplied. Place one of the mounting brackets on the top corner over the locating tab on each side of the unit, attach the brackets

with screws provided. The two bottom mounting holes are located inside the controller in the terminal hookup area. You need to remove the front panel to locate the mounting holes at the bottom corners of the case. With the brackets in place you have a method to fasten all four corners of the controller to an appropriate surface.

TWT® Technologically Advanced Methods for Water & Fluid Management

Triangularwave Technical Memo TWT is the world's leading manufacturer and supplier of chemical-free fluid management products based on its patented. TWT Triangularwave form technology. TWT's chemical-free fluid treatment and management methods have been accepted for use around the world by governments, industry, and individuals, who all enjoy the increased safety, extended equipment life cycle, and decreased operating costs that the TWT systems deliver.

Fluid-Fed Equipment and TWT Deposit Control Installation Update Determining Points of Treatment and Optimum (Commercial/Industrial) Installation Configurations

The ability of the Triangularwave Technologies Deposit Control Systems to inhibit scale and biofilm deposits and to remove preexisting deposits is dependent upon the proper application and installation of the products purchased from TWT, Inc. ***Water chemistry must be taken into consideration.***

We have established that certain configurations are preferred for certain uses, and that if correctly installed in these configurations, the TWT Deposit Control Systems will deliver even greater performance than may have been previously experienced, providing the optimum end-to-end fluid management and treatment solutions available. Every application has areas called reaction zones. These areas represent locations in a system where the fluid is exposed to different types of changes, that affect its behavior.

Mechanical: change in pressure, velocity, direction, flow pattern (pumps, aerators, agitators, etc.)

Thermodynamic: changes in temperature (heat exchangers, evaporators, boilers, spray nozzles, etc.)

Physiochemical: change in concentration, state (membranes, cooling towers, filters, main/makeup water inlets, etc.)

It is in the reaction zones where the particles in the fluid, due to the changes to which they are exposed, are more likely to form scale or biofouling.

There are many systems, which, due to their nature, will have multiple reaction zones. In general, it is the reaction zone(s) where the TWT Deposit Control Treatment should be focused. In these cases, pipe size, water conditions and plumbing configurations of the system will play an important role in determining the need for one or multiple sized units. (according to pipe size and material)

Our suggested considerations for optimal installation of the TWT Deposit Control System:

The Deposit Control System will provide the means to keep deposits (calcium, lime, etc.) in solution for extended periods, if not disturbed. The ability of the fluid to retain the deposits in solution is decreased (but not eliminated) by fluid disturbances (e.g., pressure changes) high temperature conditions (flashing, boiling, etc.) and changes in concentration (fluid conditions).

In Automatic Fill Systems, a Fill Solenoid Valve/Float Valve will be used to control the fluid level in the fill system. Where a large pressure change takes place immediately downstream of the valve, TWT recommends that the Reaction Chamber and/or the on-site wrap be located downstream from the solenoid/float valve to avoid this pressure change point.

When water boils and is evaporated, the calcium and other dissolved solids remain and form deposits. These deposits will be softer and more easily removed when treated by the TWT system. In most cases the system self cleaning ability will wash away any potential build up, allowing for a significant reduction in maintenance procedures. If a heating system can be operated without boiling/flashing on the surface of the heating element, a significant reduction in deposits will be obtained.

As the fluid temperature is lowered from boiling, the ability of the TWT treated water to hold the deposits in solution increases. TWT recommends that a reaction chamber and/or onsite wrap be located upstream of (before) any

heating system, and where possible downstream (after) the heating system, to further ensure the ability of the fluid to retain the deposits in solution. When fluid is heavily saturated with deposits (change in concentration/ fluid condition), the ability of the TWT Deposit Control System to treat fluids and hold deposits in solution is decreased but not eliminated. Under these conditions TWT recommends that you upsize (increase the oscillating electrical field) in the Deposit Control System to meet and ensure the highest level of performance for these conditions.

For these and other special requirements and installations, TWT will work directly with you to custom design fluid management solutions and system configurations for your industry-specific needs in an operational and costs effective manner... Examples of custom design for these products include designation of the appropriate deposit control system in the appropriate reaction zones to enhance and guarantee balanced treatment throughout the system, custom reaction chambers to meet size restraints and/or to allow for longer dwell time, as well as upgraded microprocessor design to meet the challenges of unusual circumstances.

TWT® products and systems provide technologically advanced methods for water and fluid management that are both efficient and cost-effective. Components and subsystems chosen from across the range of treatment methods can be combined in different configurations to provide custom solutions specific to GPM requirements and to any industry, site or application. TWT systems work to consistently deliver high quality water, reduce scale and biofouling in plumbing systems, and to increase efficiency of both once-through and re-circulating HVAC, process cooling, agriculture, industrial processing, waste water and other fluid based systems. Each product line offers a variety of both stand-alone and comprehensive treatment solutions for end-to-end fluid management, for all types of applications.

- ***All TWT® Products And Systems Come With Easy To Follow Care, Maintenance And Operational Manuals.***
- ***All Products & Systems Are Ruggedly Constructed For Exceptional Performance.***
- ***The Rugged Design Of The Products & Systems Ensure That They Will Enjoy A Long And Reliable Life Cycle When Properly Cared For.***
- ***TWT Deposit Control Systems enhance other treatment technologies as well, including chemicals, ozone, ultraviolet, separators and other filtration systems, keeping them clean and enhancing their operation. In this way, their full.***
- ***Consider using TWT Deposit Control Systems in conjunction with any fluid treatment systems as a complementary technology. For further details on how you can leverage the TWT Deposit Control benefits, please contact us.***
- ***Have An Industry Specific Fluid Problem?***
- ***Have An Industry Specific Tube and/or Pipe Configuration Problem?***
- ***Contact Our Engineering Staff Who Will Be Pleased To Work Closely With You To Determine The Optimal Solution To Meet Your Industry Specific Needs.***
- ***To Find Out Even More About Us, And How We Can Help You, Contact Us At: Email: Info@triangularwave.com***
- ***Visit Triangularwave Technologies, Inc. Comprehensive Websites. The Valuable Technical Resource For All Involved In Water And Fluid Management. www.Triangularwave.com • www.twtwatertreatment.com***

TWT products make sense from an operational, economic and safety points of view. Ownership of the TWT System will afford you and customers significant savings over a short period of time and even greater savings over the life cycle of the equipment.

